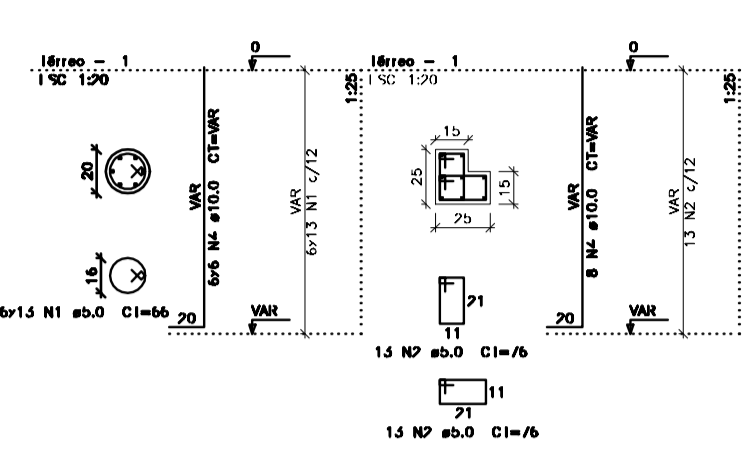
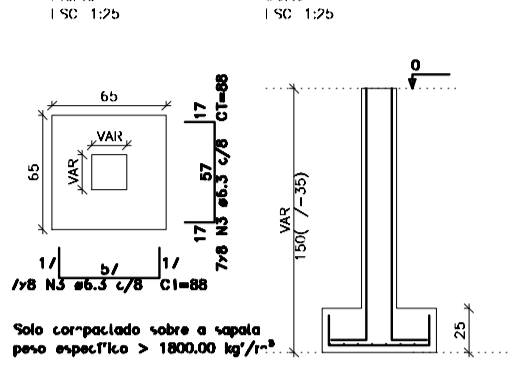


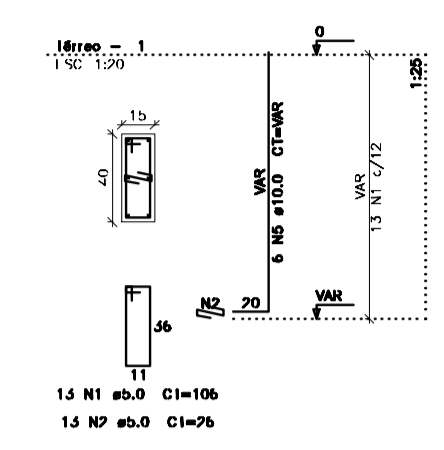
P4=P5=P18=P26=P77=P33 P40



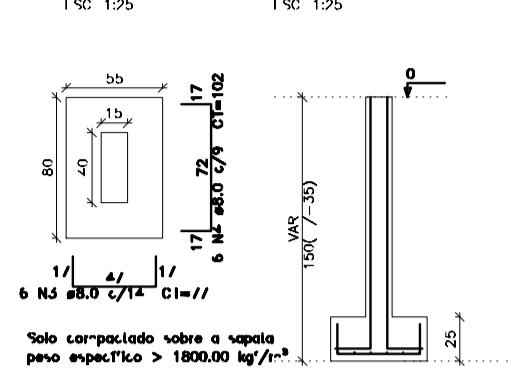
S4=S5=S18=S26=S27=S33=S40



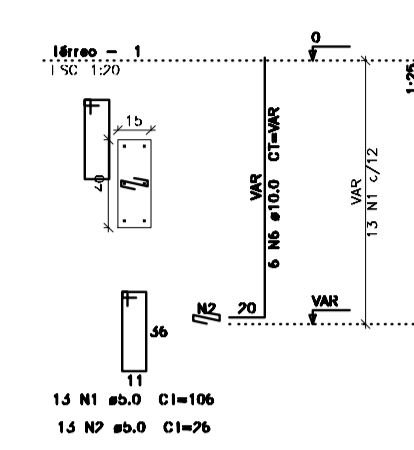
P48



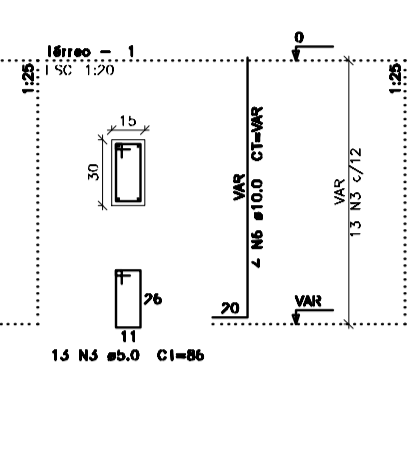
S48



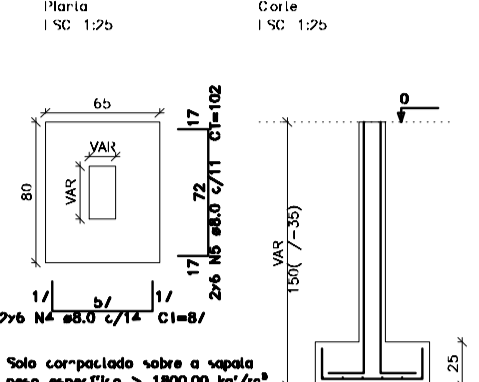
P37



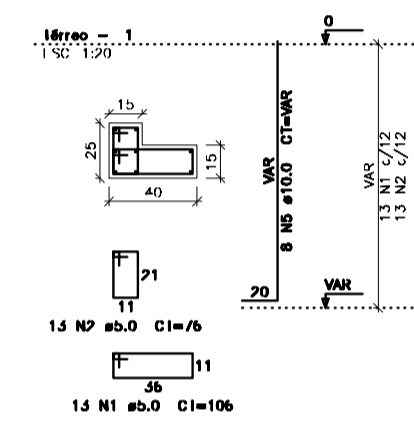
P41



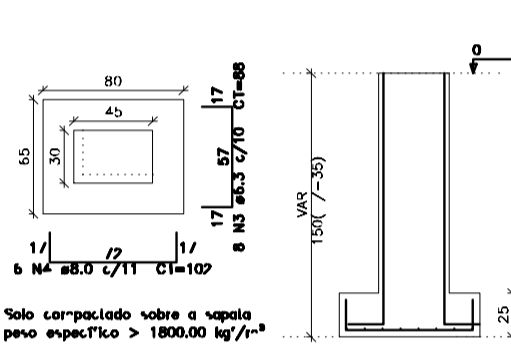
S37=S41



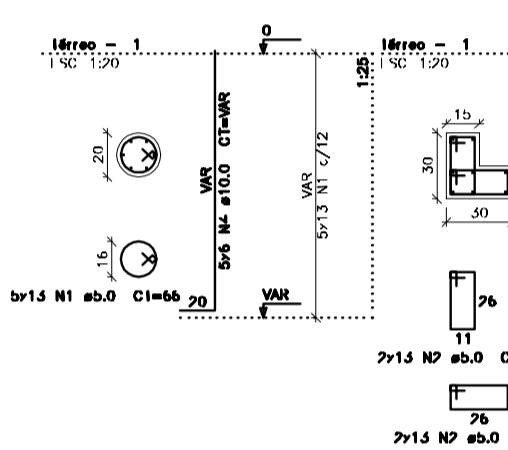
P31



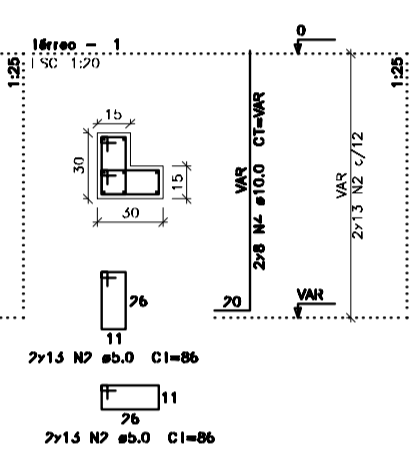
S31



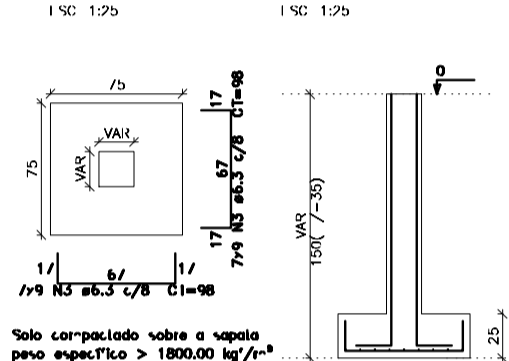
P23=P24=P52=P53=P57



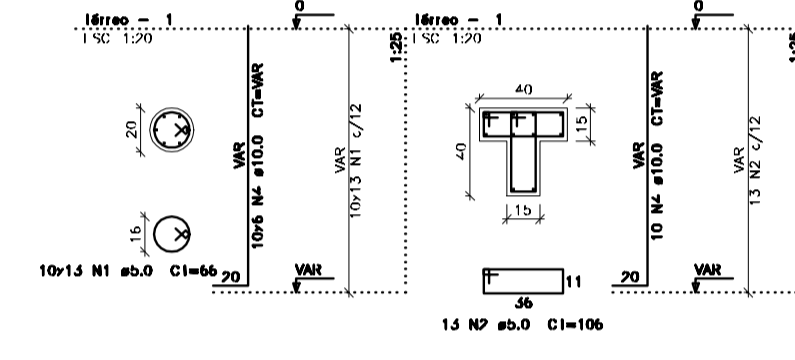
P55=P56



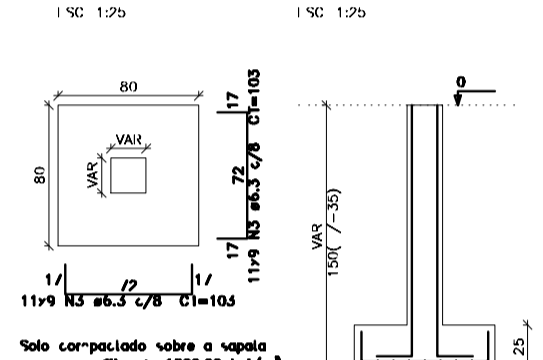
S23=S24=S52=S53=S55=S56=S57



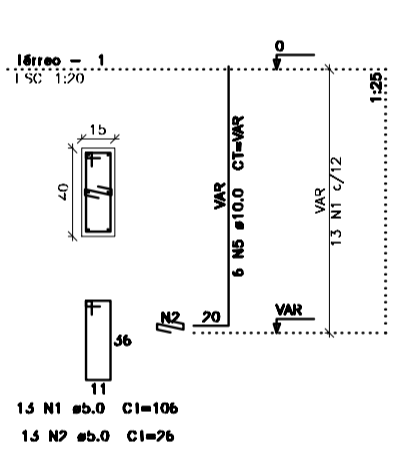
P1=P3=P6=P7=P10=P11=P12=P14=P44=P47 P43



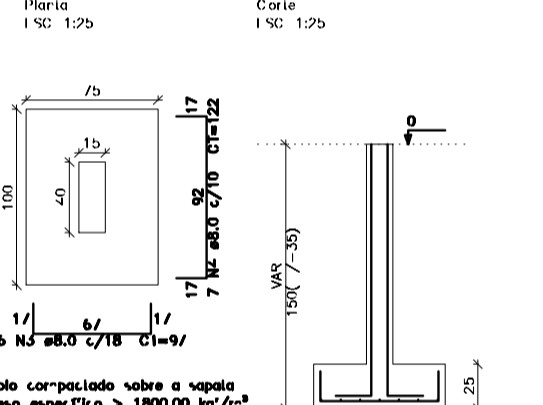
S1=S3=S6=S7=S10=S11=S12=S14=S43=S44=S47



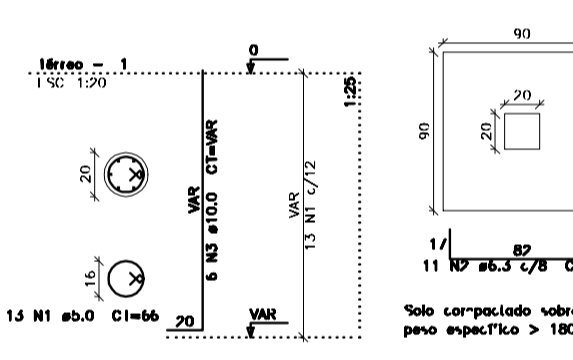
P36=P49=P50=P51



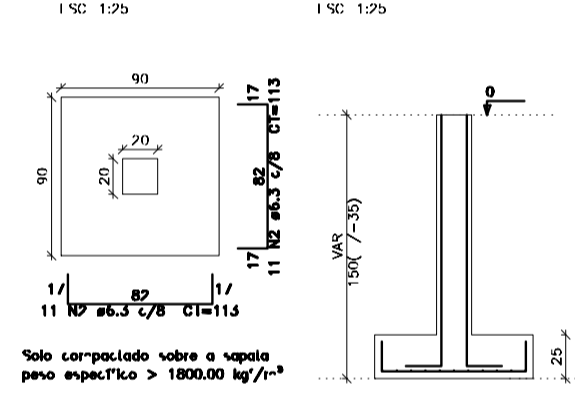
S36=S49=S50=S51



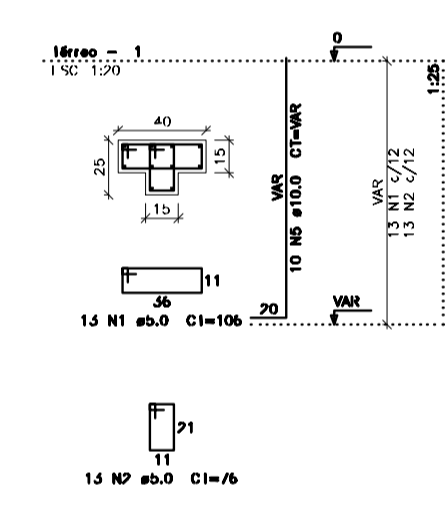
P22=P30=P37=P38=P39



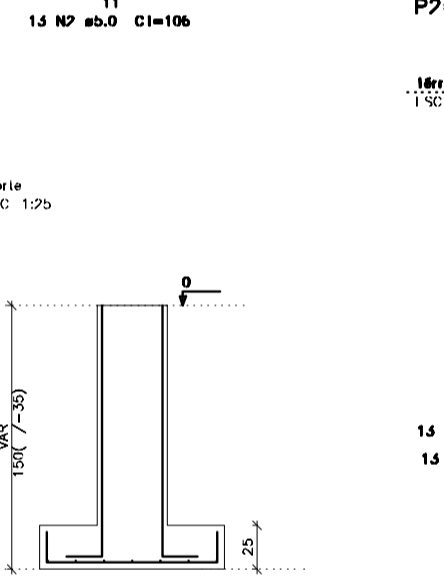
S22=S30=S37=S38=S39



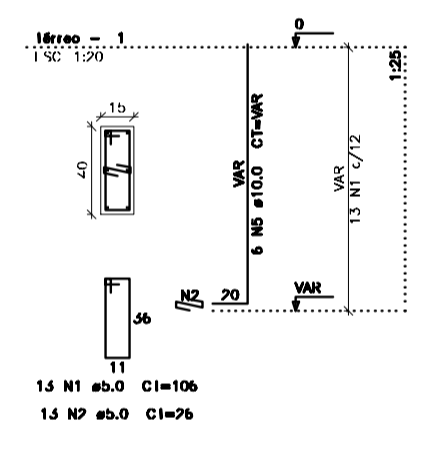
P25



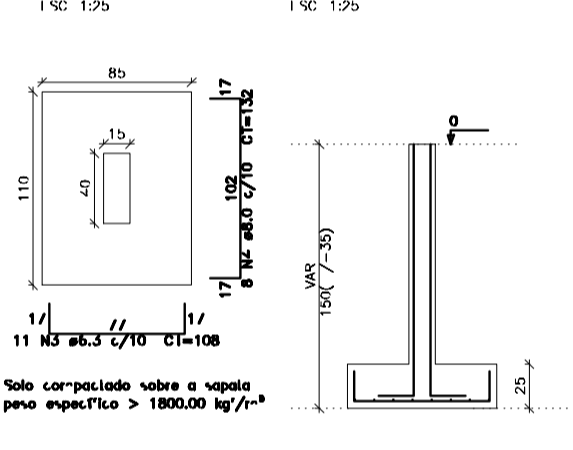
S25



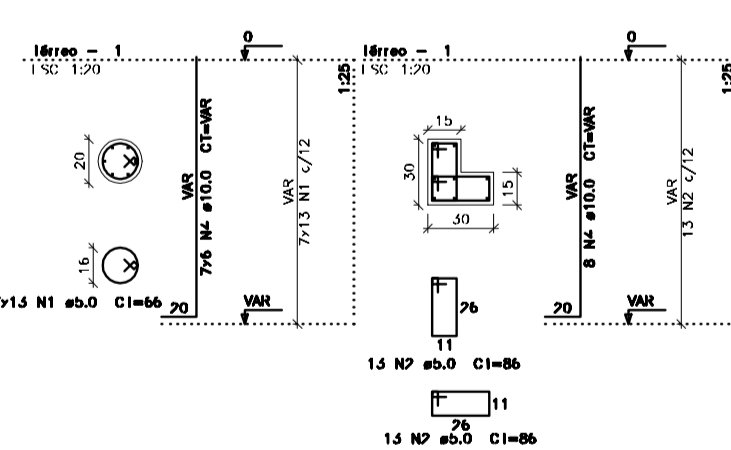
P7=P35



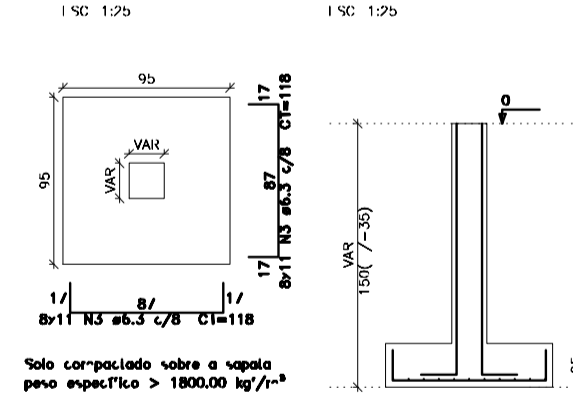
S7=S35



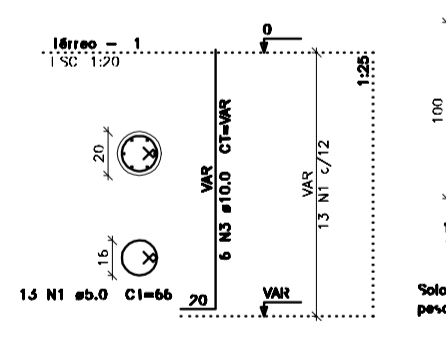
P8=P9=P13=P17=P20=P21=P39



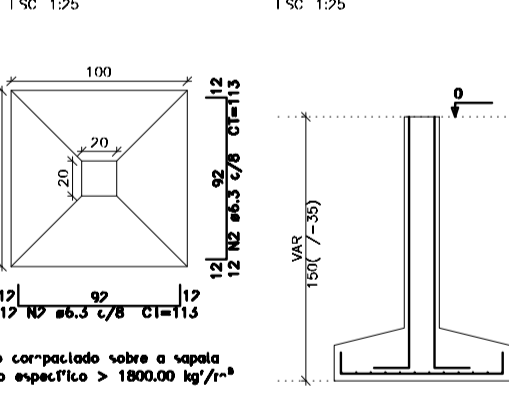
S8=S9=S13=S17=S20=S21=S34=S42



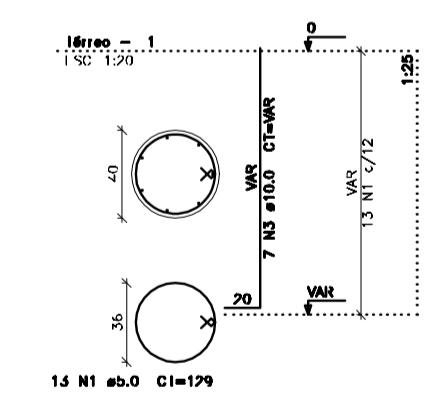
P54



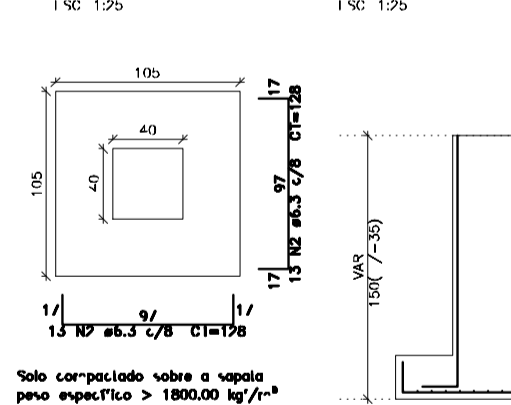
S54



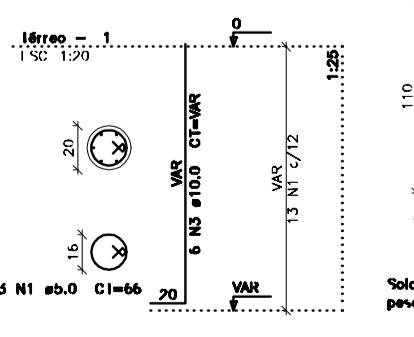
P45=P46



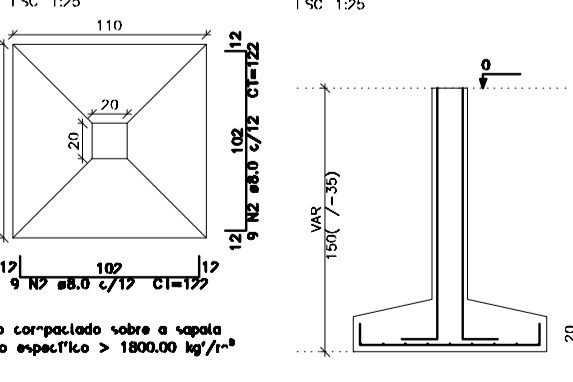
S45=S46



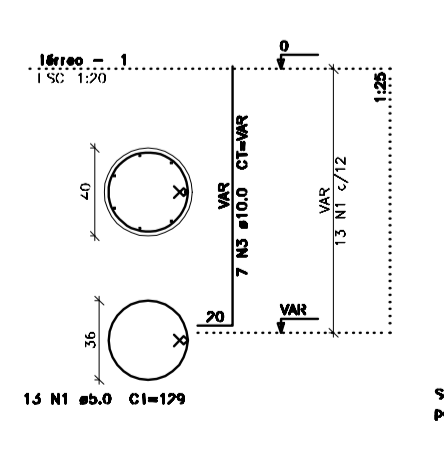
P19



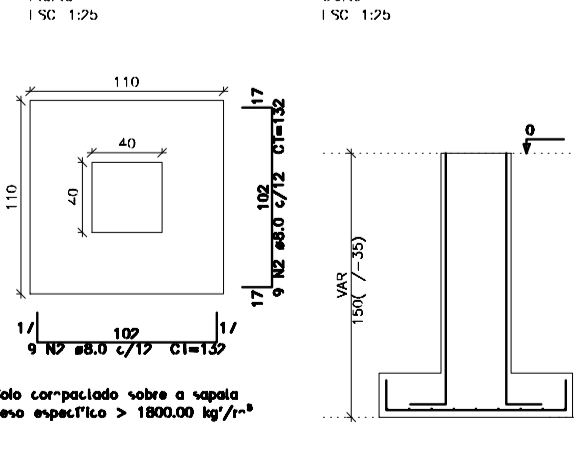
S19



P15=P16=P28=P29



S15=S16=S28=S29



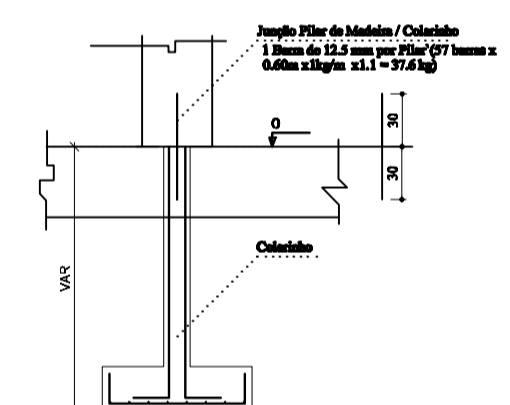
Relação do aço

| Item | Material | Quantidade | Unidade | Valor |
|------|----------|------------|---------|-------|
| 1 | CAO | 1 | m | 2,00 |
| 2 | CAO | 2 | m | 2,75 |
| 3 | CAO | 3 | m | 2,90 |
| 4 | CAO | 4 | m | 6,08 |
| 5 | CAO | 5 | m | 6,08 |
| 6 | CAO | 6 | m | 21,96 |
| 7 | CAO | 7 | m | 21,96 |
| 8 | CAO | 8 | m | 21,96 |
| 9 | CAO | 9 | m | 21,96 |
| 10 | CAO | 10 | m | 21,96 |
| 11 | CAO | 11 | m | 21,96 |
| 12 | CAO | 12 | m | 21,96 |
| 13 | CAO | 13 | m | 21,96 |
| 14 | CAO | 14 | m | 21,96 |
| 15 | CAO | 15 | m | 21,96 |
| 16 | CAO | 16 | m | 21,96 |
| 17 | CAO | 17 | m | 21,96 |
| 18 | CAO | 18 | m | 21,96 |
| 19 | CAO | 19 | m | 21,96 |
| 20 | CAO | 20 | m | 21,96 |
| 21 | CAO | 21 | m | 21,96 |
| 22 | CAO | 22 | m | 21,96 |
| 23 | CAO | 23 | m | 21,96 |
| 24 | CAO | 24 | m | 21,96 |
| 25 | CAO | 25 | m | 21,96 |
| 26 | CAO | 26 | m | 21,96 |
| 27 | CAO | 27 | m | 21,96 |
| 28 | CAO | 28 | m | 21,96 |
| 29 | CAO | 29 | m | 21,96 |
| 30 | CAO | 30 | m | 21,96 |
| 31 | CAO | 31 | m | 21,96 |
| 32 | CAO | 32 | m | 21,96 |
| 33 | CAO | 33 | m | 21,96 |
| 34 | CAO | 34 | m | 21,96 |
| 35 | CAO | 35 | m | 21,96 |
| 36 | CAO | 36 | m | 21,96 |
| 37 | CAO | 37 | m | 21,96 |
| 38 | CAO | 38 | m | 21,96 |
| 39 | CAO | 39 | m | 21,96 |
| 40 | CAO | 40 | m | 21,96 |
| 41 | CAO | 41 | m | 21,96 |
| 42 | CAO | 42 | m | 21,96 |
| 43 | CAO | 43 | m | 21,96 |
| 44 | CAO | 44 | m | 21,96 |
| 45 | CAO | 45 | m | 21,96 |
| 46 | CAO | 46 | m | 21,96 |
| 47 | CAO | 47 | m | 21,96 |
| 48 | CAO | 48 | m | 21,96 |
| 49 | CAO | 49 | m | 21,96 |
| 50 | CAO | 50 | m | 21,96 |
| 51 | CAO | 51 | m | 21,96 |
| 52 | CAO | 52 | m | 21,96 |
| 53 | CAO | 53 | m | 21,96 |
| 54 | CAO | 54 | m | 21,96 |
| 55 | CAO | 55 | m | 21,96 |
| 56 | CAO | 56 | m | 21,96 |
| 57 | CAO | 57 | m | 21,96 |
| 58 | CAO | 58 | m | 21,96 |
| 59 | CAO | 59 | m | 21,96 |
| 60 | CAO | 60 | m | 21,96 |
| 61 | CAO | 61 | m | 21,96 |
| 62 | CAO | 62 | m | 21,96 |
| 63 | CAO | 63 | m | 21,96 |
| 64 | CAO | 64 | m | 21,96 |
| 65 | CAO | 65 | m | 21,96 |
| 66 | CAO | 66 | m | 21,96 |
| 67 | CAO | 67 | m | 21,96 |
| 68 | CAO | 68 | m | 21,96 |
| 69 | CAO | 69 | m | 21,96 |
| 70 | CAO | 70 | m | 21,96 |
| 71 | CAO | 71 | m | 21,96 |
| 72 | CAO | 72 | m | 21,96 |
| 73 | CAO | 73 | m | 21,96 |
| 74 | CAO | 74 | m | 21,96 |
| 75 | CAO | 75 | m | 21,96 |
| 76 | CAO | 76 | m | 21,96 |
| 77 | CAO | 77 | m | 21,96 |
| 78 | CAO | 78 | m | 21,96 |
| 79 | CAO | 79 | m | 21,96 |
| 80 | CAO | 80 | m | 21,96 |
| 81 | CAO | 81 | m | 21,96 |
| 82 | CAO | 82 | m | 21,96 |
| 83 | CAO | 83 | m | 21,96 |
| 84 | CAO | 84 | m | 21,96 |
| 85 | CAO | 85 | m | 21,96 |
| 86 | CAO | 86 | m | 21,96 |
| 87 | CAO | 87 | m | 21,96 |
| 88 | CAO | 88 | m | 21,96 |
| 89 | CAO | 89 | m | 21,96 |
| 90 | CAO | 90 | m | 21,96 |
| 91 | CAO | 91 | m | 21,96 |
| 92 | CAO | 92 | m | 21,96 |
| 93 | CAO | 93 | m | 21,96 |
| 94 | CAO | 94 | m | 21,96 |
| 95 | CAO | 95 | m | 21,96 |
| 96 | CAO | 96 | m | 21,96 |
| 97 | CAO | 97 | m | 21,96 |
| 98 | CAO | 98 | m | 21,96 |
| 99 | CAO | 99 | m | 21,96 |
| 100 | CAO | 100 | m | 21,96 |

Resumo do aço

| Item | Material | Quantidade | Unidade | Valor |
|------|----------|------------|---------|-------|
| 1 | CAO | 6,3 | m | 22,5 |
| 2 | CAO | 8,0 | m | 109,2 |
| 3 | CAO | 10,0 | m | 409,8 |
| 4 | CAO | 11,1 | m | 129,6 |
| 5 | CAO | 120,3 | m | |

Vol. de concreto total (C=25) = 14,86 m³
 Área de ferro total = 123,18 m²



| Item | Descrição | Responsável | Revisão | Data |
|------|-----------|-------------|---------|------|
| | | | | |
| | | | | |
| | | | | |

DGP

SOL. CIVIL - Departamento Civil 2005

Centro Ambiental

ESTRUTURAL

Armação das Sapatas

04

Rua: ... nº